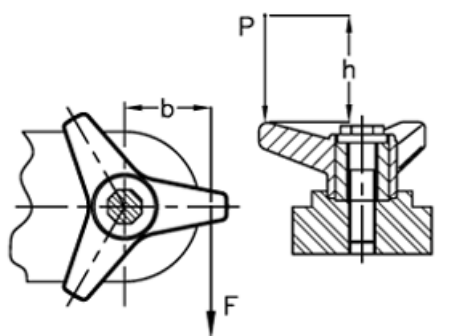
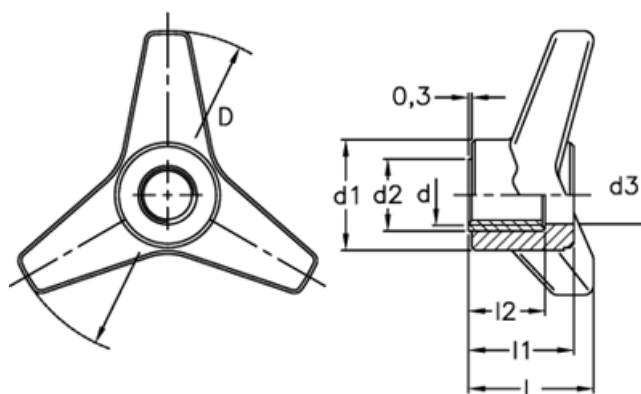


Article number: 2302065642  
 Description: E+G Three-arm knob  
 VB.639/63 FP-M12

## Measures



$$C[N \cdot m] = F[N] \cdot b[m] \quad L[J] = P[N] \cdot h[m]$$

C (N m) = 30  
 D = 63  
 d1 = 27  
 d2 = 16  
 d3 = 13  
 d 6H = M12  
 L = 29  
 L(J) = 7

l1 = 25  
 l2 = 21